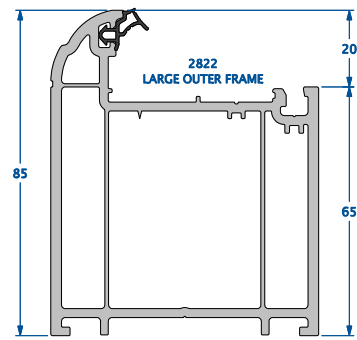
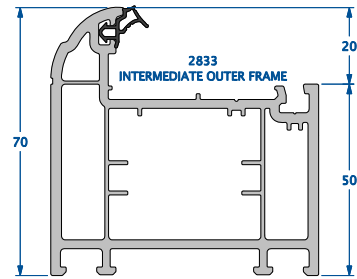
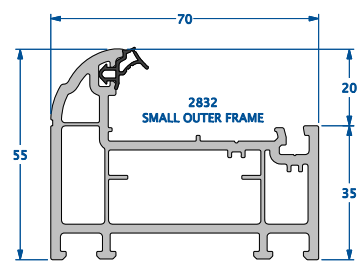


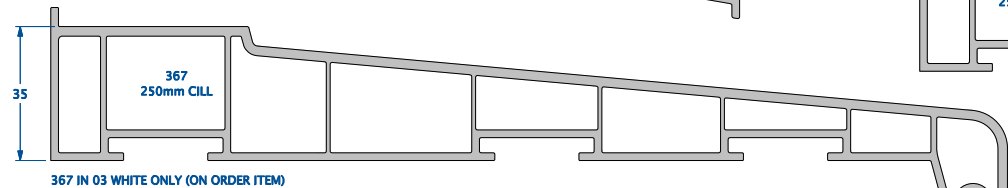
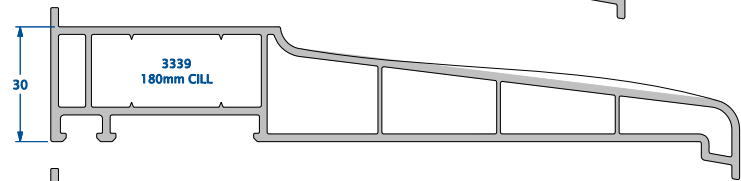
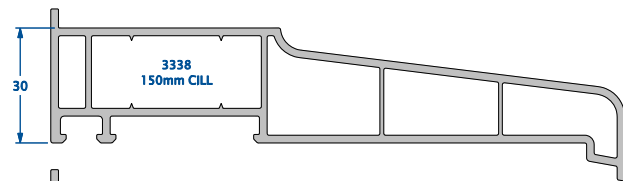
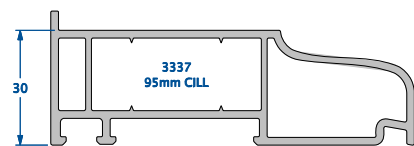
Main Frame



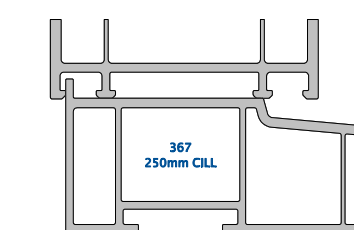
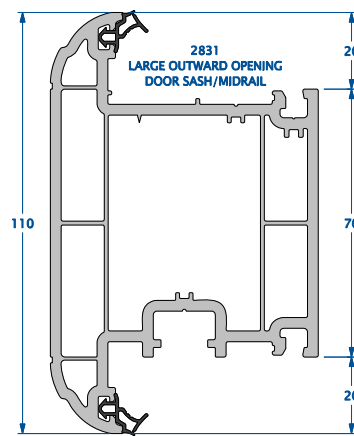
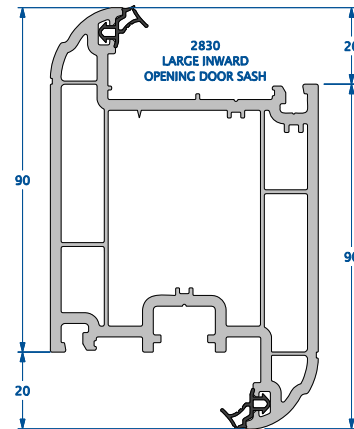
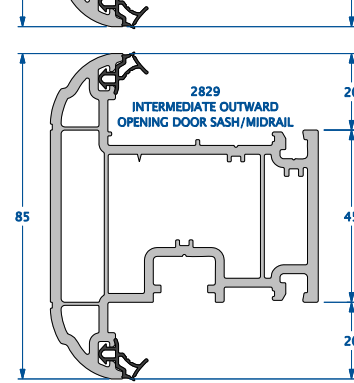
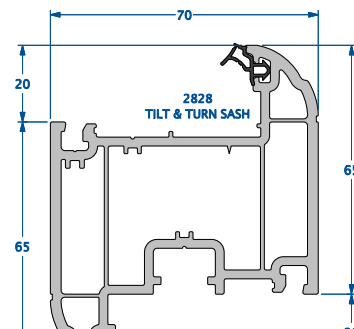
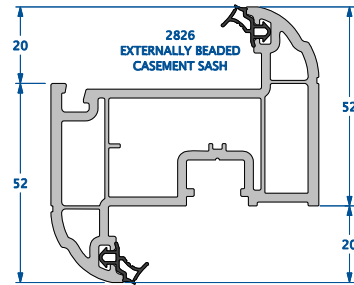
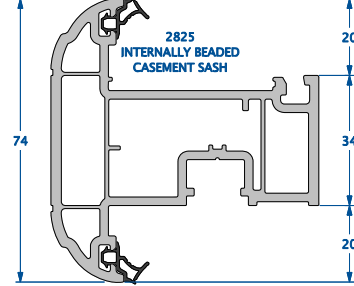
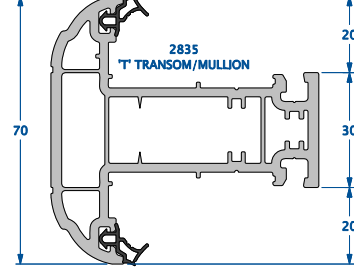
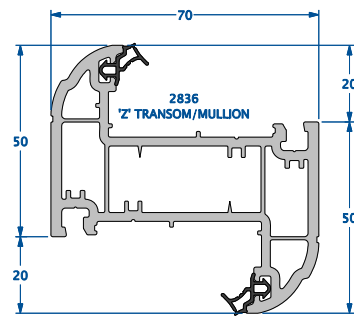
Glazing Bead



Cills

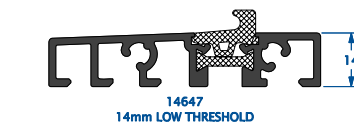
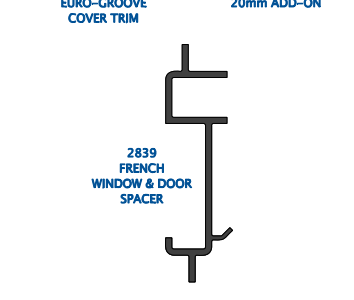
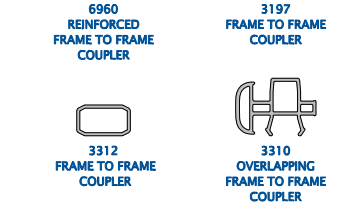
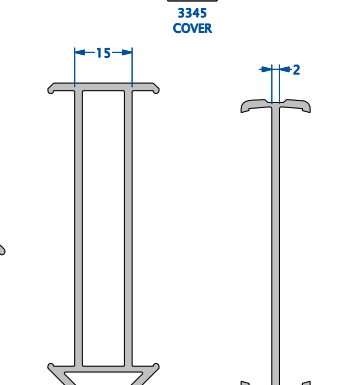
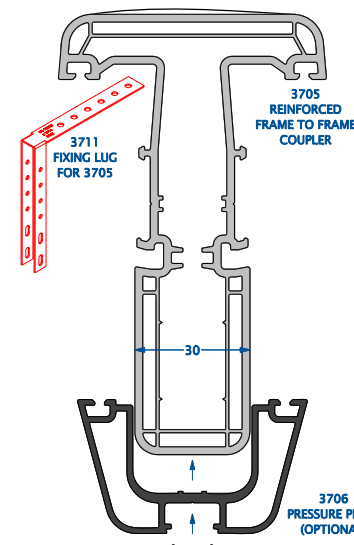
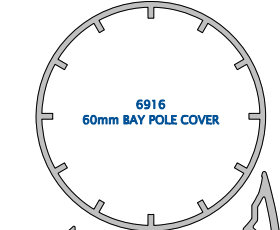
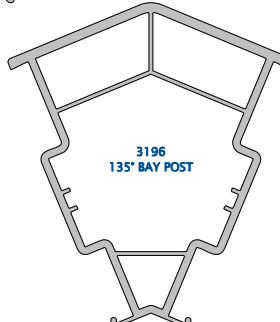
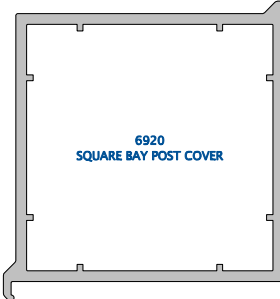
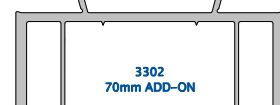
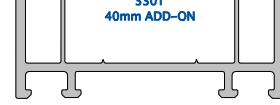
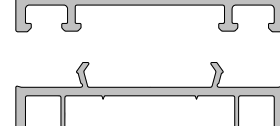
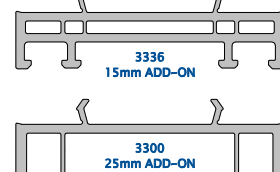


367 IN Q3 WHITE ONLY (ON ORDER ITEM)



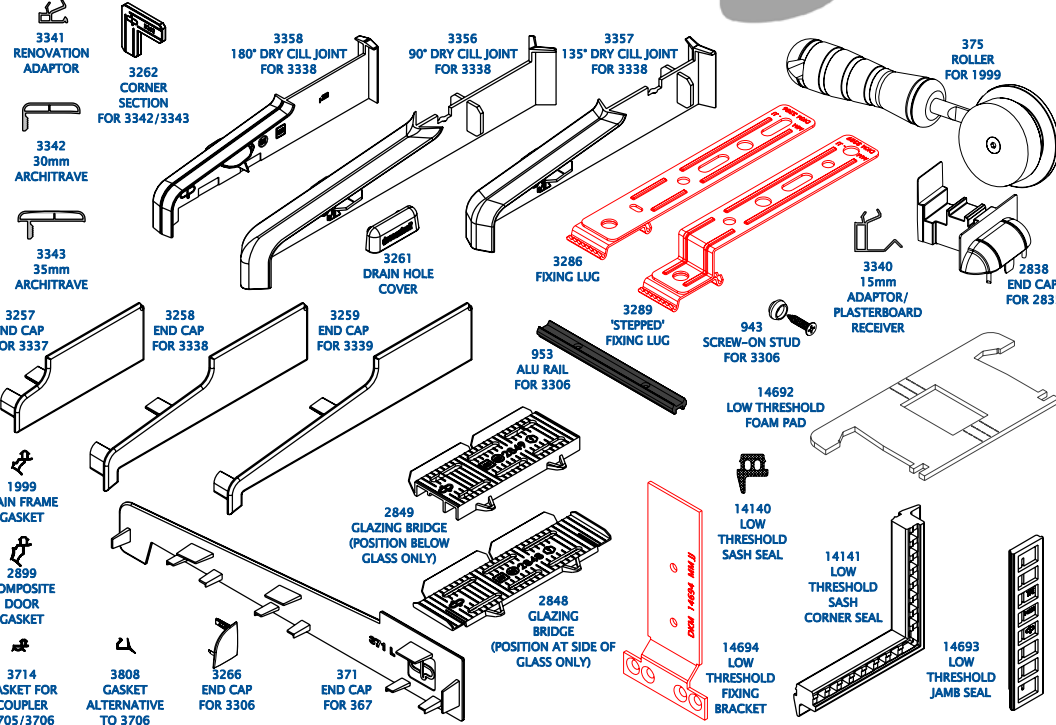
NOTE: IF USING 367 CILL, THE OUTER FRAME MUST LOCATE BEHIND CILL UPSTAND (AS SHOWN ABOVE) DUE TO CILL PLATFORM BEING SHORTER.

Ancillaries



Injection Mouldings & Remaining Ancillaries

Scale 1:2



Reinforcement

